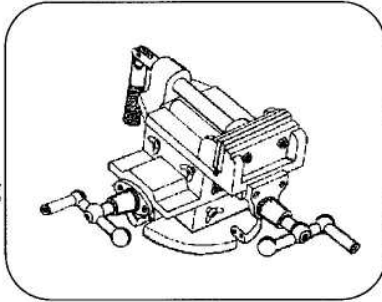


MACHINE VICES AND ACCESSORIES

CROSS VICES

Cross Vices can be used to easily locate the required drilling position or for converting the drilling machine for light milling.

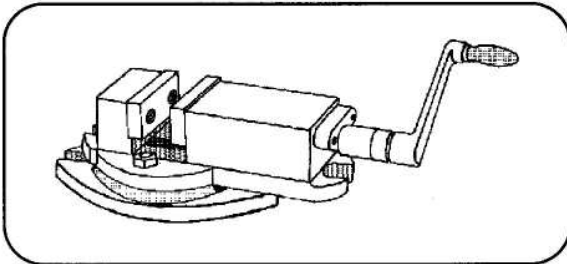


Size	Jaw width	Jaw opening	Height	Price each
3 in. (75mm)	75mm	75mm	130mm	£35.95
4 in. (100mm)	100mm	100mm	135mm	£42.25

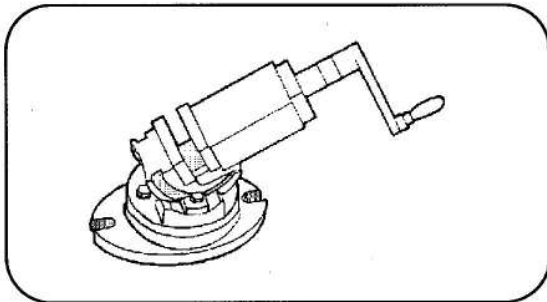
MILLING MACHINE VICES

Small Precision Milling Machine Vices

1. With 2 in. Jaws and swivel base. Price each..£89.00

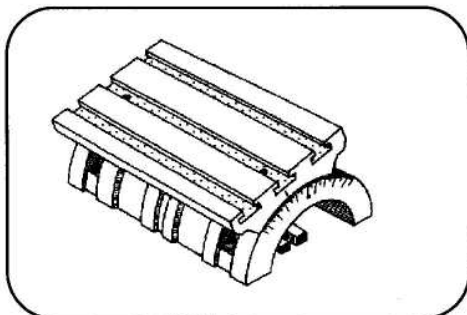


2. With 2 in Jaws, swivel base and tilting vice. Price each..£105.00



TILTING TABLE

A useful precision ground Tilting Table Size 5in. x 7in. Price each....£79.00

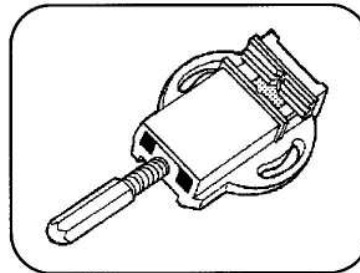


**CAN'T SEE
WHAT YOU WANT!**

**CALL US FOR
DETAILS ON
ALTERNATIVE
PRODUCTS**

TEL: 01787 472 236

3 in. PRECISION DRILL PRESS VICE



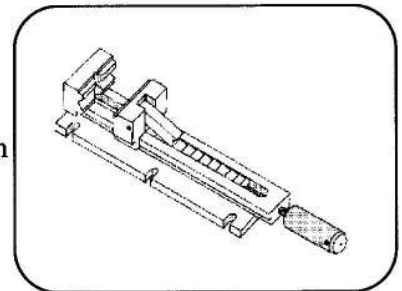
Jaw width.....80mm
Jaw opening.....85mm
Total height.....52mm
Price each.....£44.50

QUICK ACTION DRILL PRESS VICE

(Made in Czech Rep.)

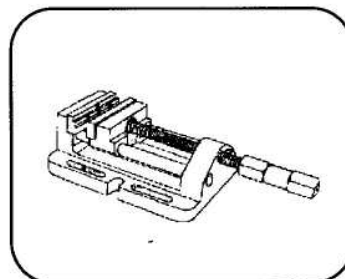
A new ratchet type action for rapid jaw positioning.
Jaw width.....70 mm
Jaw opening..110 mm

Price each.....£42.50



DRILL PRESS VICE

An attractively priced robust vice



1. Jaw width...75mm
Jaw opening....75mm
Price each...£19.95
2. Jaw width...100mm
Jaw opening..100mm
Price each...£26.95