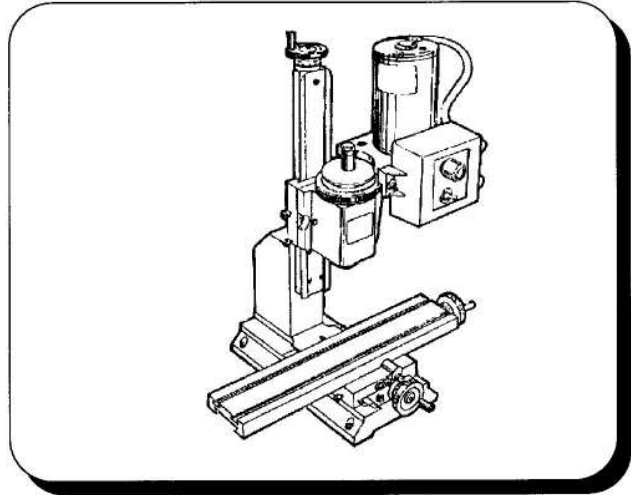
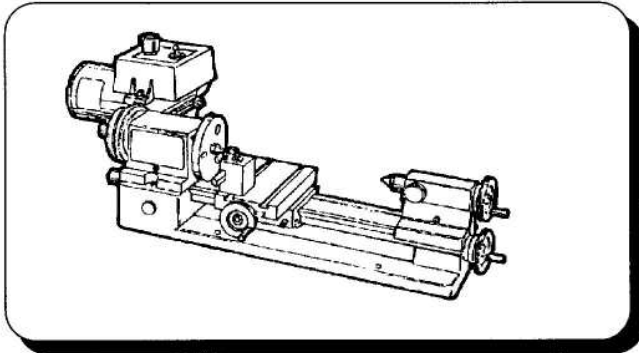


SHERLINE MINIATURE LATHES AND MILLING MACHINES

SHERLINE 3.5 in. (89mm) LATHE

SHERLINE VERTICAL MILLING MACHINE



Technical Specification

- Centre Height above Bed1.75 in. (45 mm)
- Swing over Bed.....3.5 in. (90 mm)
- Distance between centres.....8 in. (200 mm)
- Hole through spindle.....0.405 in. (10 mm)
- Spindle nose thread.....3/4 in. x 16 tpi
- Spindle bore taper.....No 1 Morse
- Cross slide travel.....2.25 in. (57 mm)
- Tailstock spindle bore.....No 0 Morse
- Protractor graduations.....0 - 45 deg. x5 deg.
- Handwheel graduations.....0.001 in. or 0.01 mm.
- Electronic motor speed control.....70 to 3000 rpm.
- Overall length.....18 in. (460 mm)
- overall width.....7.5 in (190 mm)
- Weight.....20 lbs (9.1 Kg.)

Technical Details

- Maximum Vertical clearance.....8 in. (203 mm)
- Throat depth.....2.25 in. (57mm)
- Travel X-axis9 in. (225 mm)
- Travel Y- axis3 in. (76 mm)
- Travel Z-axis6.5 in. (165 mm)
- Hole through spindle0.405 in. (10 mm)
- Spindle nose thread.....3/4 in. x 16 tpi
- Spindle taperNo 1 Morse
- Handwheel graduations0.001 in. or 0.01 mm
- Electronic motor speed control.....70 to 3000 rpm
- Overall width14.5 in. (360 mm)
- Overall depth12 in. (300 mm)
- Overall height17 in. (430 mm)
- Table size2.75 in. x 13 in. (70 x 330 mm)
- Hold down provision2 x Tee slots
- Weight27 lbs (12.3 Kg)

Lathes and accessories

Ref. No.	Description	Price each
4100A	Metric Lathe with lathe chuck and drill chuck	£650.00*
4000A	Imperial Lathe with lathe chuck and drill chuck.	£650.00*
4100	Metric lathe only	£550.00*
4000	Imperial lathe only	£550.00*
1041	3 Jaw S/C lathe chuck	£96.00
1044	4 Jaw independent chuck	£96.00
1072	Tailstock drill chuck, 1/4"capacity.	£53.00
3050	Vertical milling column.	£144.50
1074	Steady rest	£38.50
1161	WW collet adaptor and draw bar	£48.00
1185	Vertical milling table.	£115.50
1187	Chuck to Tee slot adaptor.	£7.25
1191	Live (revolving) centre	£38.50
1270/80	Compound Slide (ins. / mm)	£120.50
1291	Headstock spacer kit	£67.50
1292	Tailstock spacer block	£48.00
3002	Cut-off toolholder and blade	£48.00
3012	Hold down set	£24.00
3035	Spur driver (woodworking)	£24.00
3038	Wood tool rest	£53.00
4004	Replacement drive belt	£6.50
4150	Vinyl lathe cover	£9.75

Milling Machines and accessories

Ref. No.	Description	Price each
5000	Vertical Mill, Imperial	£626.00*
5100	Vertical Mill, metric	£626.00*
3551	Milling machine vice	£72.25
3052	Flycutter	£33.75
3054	Boring Head	£67.50
3056	Set of 4 Tee nuts	£7.75
3058	4 Jaw hold down set	£5.75
3072	Drill chuck and draw bar	£48.00
3078	10.0 mm End Mill holder	£29.00
3079	3/8 in. End Mill holder	£29.00
3094	6.0 mm Milling collet	£15.50
3097	1/4 in. Milling collet	£15.50
3084	Draw bar for milling collets	£4.75

* Please add £15.00 carriage per machine

Send for full catalogue and accessory list.