

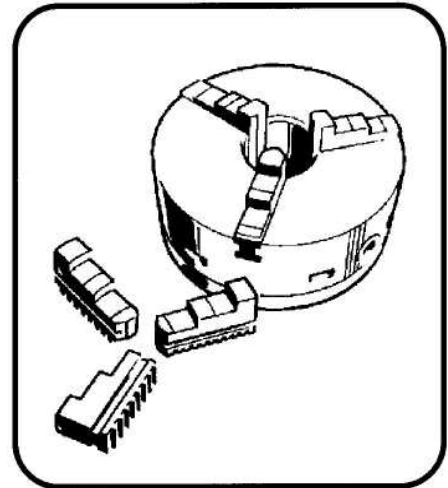
LATHE CHUCKS - 3 AND 4 JAW SELF CENTRING

LATHE CHUCKS - 3 AND 4 JAW SELF CENTRING

T O S Lathe Chucks (Made in Czech Rep.) - Excellent quality Key operated geared scroll chucks for backplate mounting. Chucks are supplied complete with Internal and External jaws, chuck key and fixing bolts.

Chuck size Dia.mm	3 Jaw Self Centring Price each	4 Jaw self Centring Price each
80 (3 in.)	£71.75	£83.25
100 (4 in.)	£78.00	£88.00
125 (5 in.)	£85.00	£99.00
160 (6 in.)	£109.50	£136.00
200 (8 in.)	£145.50	---

Larger sizes: Prices on request

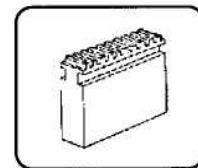


CHUCK DIMENSIONS (mm)

Dia. of chuck	Width of chuck	Bore of chuck	Backplate Recess Dia.x Depth	P.C.D. of Bolt Holes	No. of Bolt Holes	Bolt Size	Key Size	Min. Clamp Dia.	Max. R.P.M.
80	45	16	63 x 3	70	3	M5 x 22	6	3	6,000
100	52	23	80 x 3	90	3	M5 x 25	6	3	5,300
125	58	28	100 x 4	110	3	M8 x 25	8	3	4,500
160	62	47	130 x 4	143	3	M8 x 35	9	5	3,500
200	76	52	162 x 5	180	3	M10 x 35	11	5	3,000

SOFT JAWS FOR ABOVE CHUCKS (T.O.S.)

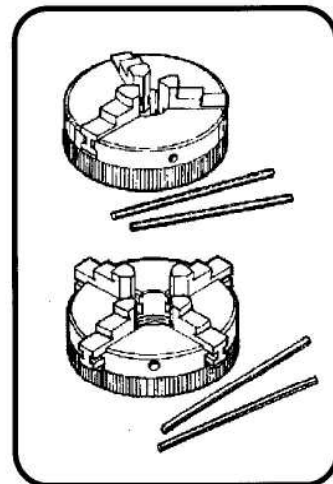
	80mm	100mm	125mm	160mm	200mm
3 Jaw Self Centring-----	£16.50	£18.00	£19.50	£22.00	£25.00
4 Jaw Self Centring-----	£21.00	£24.50	£26.00	£29.50	---



SHERLINE (U.S.A) SMALL 3 AND 4 JAW SELF CENTRING LATHE CHUCKS

Lever scroll chucks with threaded body and reversible jaws.

Ref. No.	Dia. ins.	Body Thread	3 Jaw Self Centring Price each	4 Jaw Self Centring Price each
1040	3.1/8	3/4" x 16 UNF	£125.00	-----
1041	2.1/2	3/4" x 16 UNF	£96.00	See 1075
1068	2.1/2	12.0 x 1.0mm	£115.50	-----
1070	2.1/2	1/2" x 20 UNF	£115.50	-----
1075	2.1/2	3/4" x 16 UNF	See 1041	£125.00

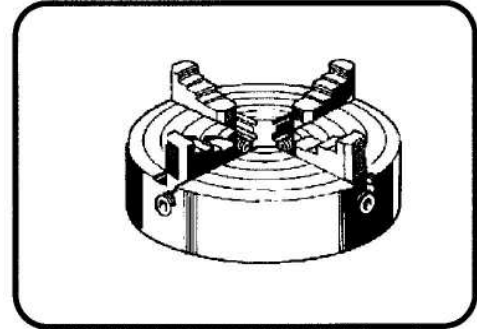


LATHE CHUCKS- 4 JAW INDEPENDENT

LATHE CHUCKS - 4 JAW INDEPENDENT

Toolmex Lathe Chucks (Made in Poland). Excellent quality Chucks with Steel bodies. Supplied complete with fixing bolts for backplate mounting.

Chuck size	85 mm	100 mm	125 mm	160 mm	200 mm
Dia. mm	(3.1/4 in.)	(4 in.)	(5 in.)	(6 in.)	(8 in.)
Price each	£169.00	£177.00	£189.00	£206.00	£218.00



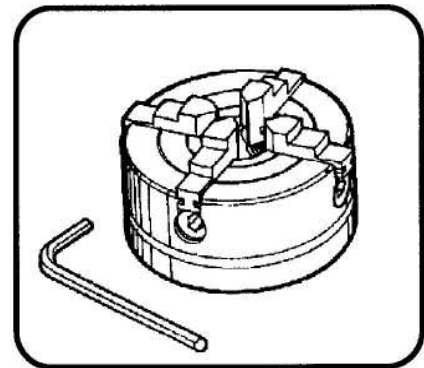
CHUCK DIMENSIONS (mm)

Dia. of Chuck	Width of Chuck	Register Recess Dia. x Depth	P.C.D. of Bolt Holes	Bolt size	Bore of Chuck
85 mm	40 mm	62 x 5 mm	72 mm	M6	25 mm
100 mm	40 mm	79.4 x 2.5 mm	54 mm	M8	25 mm
125 mm	43 mm	69.85 x 2.5 mm	54 mm	M8	26 mm
160 mm	43 mm	82.55 x 2.5 mm	69.85 mm	M10	42 mm
200 mm	80 mm	110.0 x 5 mm	82.6 mm	M10	50 mm

SHERLINE (U.S.A.) SMALL 4 JAW INDEPENDENT LATHE CHUCKS

Small 4 Jaw Independent Lathe Chucks with threaded body. Ideal Chucks for small Modelmakers Lathes.

Ref. No.	Dia. in.	Body Thread	Chuck Price each
1030	3.1/8 in.	3/4" x 16 UNF	£130.00
1044	2.1/2 in.	3/4" x 16 UNF	£96.00
1071	2.1/2 in.	12.0 x 1.0 mm	£115.50
1073	2.1/2 in.	1/2" x 20 UNF	£115.50



CASTINGS FOR LATHE CHUCK BACKPLATES (CAST IRON)

Please note that the following dimensions of the rough castings are approximate only, due to normal casting procedures.

Nom. dia. Ins.	Actual Dia.	Boss Dia.	Plate Thickness	Boss Depth	Central Bore	Price each
3	3.5/8" (90mm)	1.5/8" (40mm)	1/2" (13mm)	3/4" (19mm)	-	£10.95
4	4.1/4" (110mm)	2." (50mm)	1/2" (13mm)	3/4" (19mm)	-	£13.50
5	5.3/8" (140mm)	2.7/8" (70mm)	5/8" (16mm)	1." (25mm)	-	£18.50
6	6.5/8" (170mm)	3.1/4" (83mm)	3/4" (19mm)	7/8" (22mm)	-	£23.50
8	8.3/8" (210mm)	3.1/2" (90mm)	7/8" (22mm)	1.1/8" (29mm)	1"	£35.00

